

**HANDLES**



**BOTECO<sup>®</sup>**

**ALL PURPOSE HANDGRIPS**

# ART. M138

## HANDLE WITH THREADED HOLE

**MATERIAL:**

Reinforced polyamide.  
Oils and greases resistant.

**SURFACE:**

Satin.

**COLOUR:**

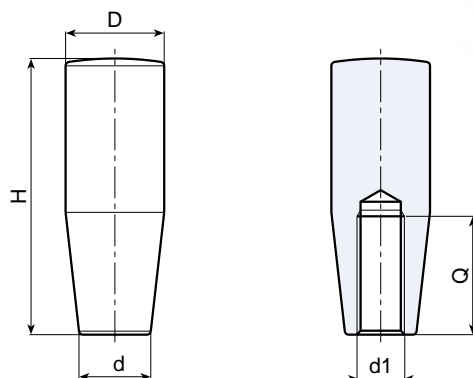
Black (RAL 9011).

**HOLE :**

Female threaded blind hole obtained by moulding the plastic.

**SPECIAL REQUESTS:**

- It is possible to supply colours as shown in the table at page 19, on request and for quantities.



Art.	H	D	d	d1	Q	Weight (gr)
M138-27 M04	27	14	10	M4	20	6
M138-27 M05	27	14	10	M5	20	5
M138-27 M06	27	14	10	M6	20	5
M138-40 M05	40	18	16	M5	20	10
M138-40 M06	40	18	16	M6	27	10
M138-40 M08	40	18	16	M8	27	10
M138-50 M06	50	20	15	M6	24	16
M138-50 M08	50	20	15	M8	23	14
M138-50 M10	50	20	15	M10	25	14
M138-50 M12	50	20	16	M12	29	12
M138-60 M08	60	23	18	M8	30	24
M138-60 M10	60	23	18	M10	30	24
M138-60 M12	60	23	18	M12	29	22
M138-70 M08	69	25	19	M8	30	34
M138-70 M10	69	25	19	M10	30	32
M138-70 M12	69	25	19	M12	31	28
M138-80 M08	80	26	20	M8	31	40
M138-80 M10	80	26	20	M10	31	38
M138-80 M12	80	26	20	M12	37	36
M138-80 M14	80	26	20	M14	40	34
M138-90 M08	91	27	22	M8	30	58
M138-90 M10	91	27	22	M10	31	54
M138-90 M12	91	27	22	M12	37	50
M138-90 M14	91	27	22	M14	40	46
M138-110 M10	109	32	27	M10	31	105
M138-110 M12	109	32	27	M12	50	104
M138-110 M14	109	32	27	M14	50	100



BOTECA

# ART. M139

## HANDLE WITH SMOOTH HOLE

**MATERIAL:**

Reinforced polyamide.  
Oils and greases resistant.

**SURFACE:**

Satin.

**COLOUR:**

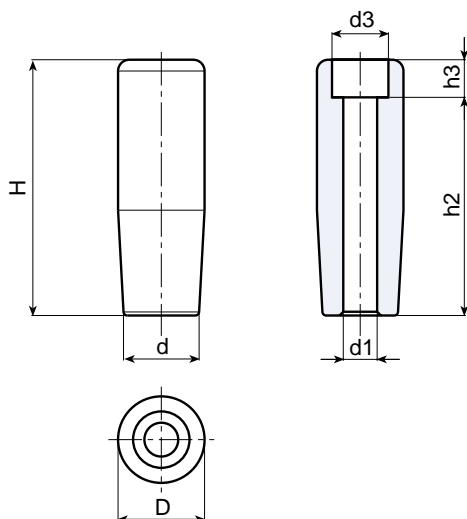
Black (RAL 9011).

**HOLE :**

Smooth right through hole obtained by moulding the plastic.

**SPECIAL REQUESTS:**

- It is possible to supply colours as shown in the table at page 19, on request and for quantities.



Art.	H	D	d	h2	h3	d1	d3	Weight (gr)
M139-50 D6,5	49	20	15	42,5	6,5	6,5	11	13
M139-50 D8,5	49	20	15	42,5	6,5	8,5	11	10
M139-60 D6,5	59	21	19	51	8	6,5	12	23
M139-60 D8,5	59	21	19	49	10	8,5	14	20
M139-70 D8,5	68	23	20	57,5	10,5	8,5	14	28
M139-70 D10,5	68	23	20	56	12	10,5	17	25
M139-80 D10,5	79	25,5	22	67	12	10,5	17	38
M139-90 D8,5	88	27,5	22,5	76	12,5	8,5	19	46
M139-90 D12,5	88	27,5	22,5	76	12,5	12,5	19	42

H A N D L E S



BOTECA

# ART. M141

## CYLINDRICAL HANDLE WITH SMOOTH HOLE

**MATERIAL:**

Reinforced polyamide.  
Oils and greases resistant.

**SURFACE:**

Satin.

**COLOUR:**

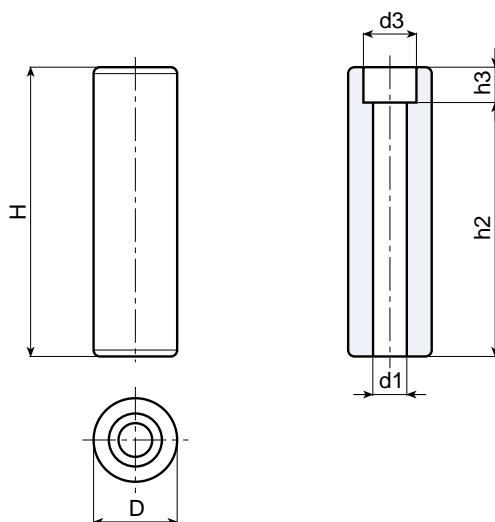
Black (RAL 9011).

**HOLE :**

Smooth right through hole obtained by moulding the plastic.

**SPECIAL REQUESTS:**

- It is possible to supply colours as shown in the table at page 19, on request and for quantities.



Art.	H	D	h2	h3	d1	d3	Weight (gr)
M141-82 D10,5	80	26	69	11	10,5	16,5	44
M141-90 D10,5	89	26	78	11	10,5	16,5	51



**BOTECA**

# ART. M140

## HANDLE WITH THREADED STUD

**MATERIAL:**

Reinforced polyamide.  
Oils and greases resistant.

**SURFACE:**

Satin.

**COLOUR:**

Black (RAL 9011).

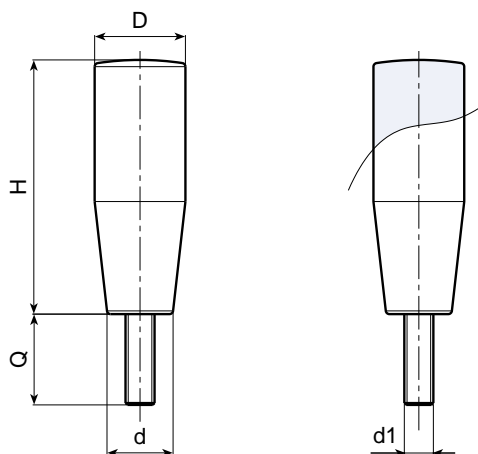
**MAIN INSERT:**

Zinc plated steel threaded stud.



**SPECIAL REQUESTS:**

- It is possible to supply the inserts with different lengths, on request and for quantities.
- It is possible to supply the inserts in different materials, on request and for quantities.
- It is possible to supply colours as shown in the table at page 19, on request and for quantities.



Art.	H	D	d	d1	Q	Weight (gr)
M140-27 M04	27	14	10	M4	20	10
M140-27 M05	27	14	10	M5	20	15
M140-27 M06	27	14	10	M6	20	20
M140-40 M05	40	18	15,5	M5	20	20
M140-40 M06	40	18	15	M6	10-20-25	18-20-21
M140-50 M06	50	20	15	M6	10-20-30	24-27-30
M140-50 M08	50	20	15	M8	10-15-20	34-32-30
M140-60 M06	60	23	17,5	M6	10-20-30	38-40-42
M140-60 M08	60	23	17,5	M8	10-20-30	34-42-50
M140-60 M10	60	23	17,5	M10	15	40
M140-70 M08	70	25	18	M8	10-20-30	51-54-57
M140-70 M10	70	25	18	M10	15-30	59-64
M140-80 M06	81	26	20	M6	10	68
M140-80 M08	81	26	20	M8	10-20-30	74-77-80
M140-80 M10	81	26	20	M10	10-20-30	84-86-88
M140-90 M08	90	27	22	M8	10-20-30	74-77-80
M140-90 M10	90	27	22	M10	10-20-30	95-100-105
M140-90 M12	90	27	22	M12	20-30-40	104-112-119
M140-110 M12	111	32	27	M12	20-40	162-175
M140-110 M14	111	32	27	M14	20-40	170-190



**BOTECA**

# ART. M144

## REVOLVING HANDLE WITH SCREW AND NUT

**MATERIAL:**

Reinforced polyamide.  
Oils and greases resistant.

**SURFACE:**

Satin.

**COLOUR:**

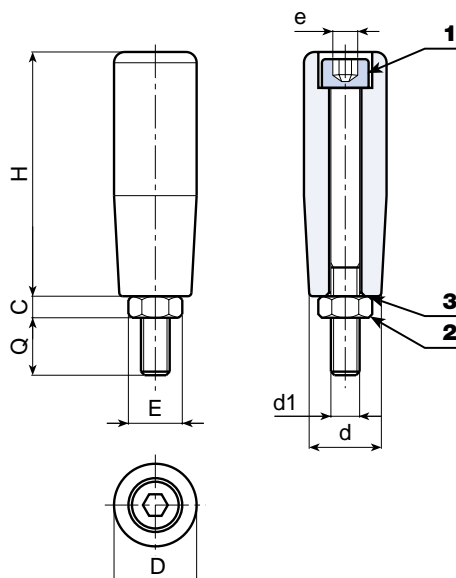
Black (RAL 9011).

**INSERTS:**

- (1) Threaded black oxyde-treated steel screw TCCE DIN 912.
- (2) Threaded black oxyde-treated steel nut DIN 934.
- (\*) (3) Black oxyde-treated steel washer.

**SPECIAL REQUESTS:**

- It is possible to supply the inserts in different materials, on request and for quantities.
- It is possible to supply the inserts with different treatment-finishes, on request and for quantities.
- It is possible to supply colours as shown in the table at page 19, on request and for quantities.



Art.	H	D	d	c	E	e	d1	Q	Weight (gr)
M144-50 M06	50	20	15	5	10 (11)	5 (6)	(*) M6	10	30
M144-50 M08	50	20	15	5	10 (11)	5 (6)	(*) M8	13	32
M144-60 M08	59	21	19	6	13 (15)	6 (7)	M8	15	56
M144-70 M08	68	23	20	8	17 (19)	8 (9)	M8	16	68
M144-70 M10	68	23	20	8	17 (19)	8 (9)	M10	16	92
M144-80 M10	78	25	22	8	17 (19)	8 (9)	M10	15	110
M144-90 M12	88	28	22,5	7	19 (21)	10 (12)	M12	17	150

# ART. M144 CIN

## REVOLVING HANDLE WITH STAINLESS STEEL SCREW AND NUT

**INOX**

**MATERIAL:**

Reinforced polyamide.  
Oils and greases resistant.

**SURFACE:**

Satin.

**COLOUR:**

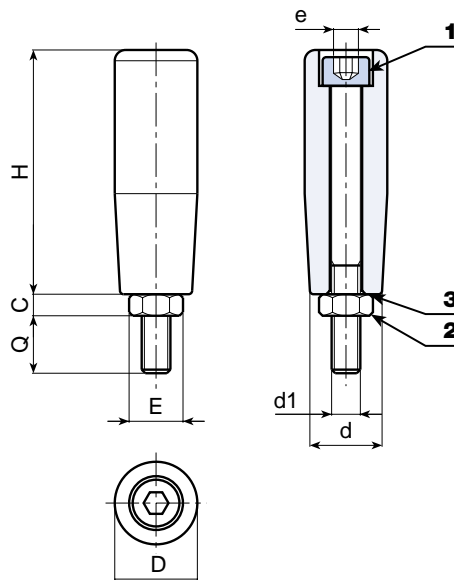
Black (RAL 9011).

**INSERTS:**

- (1) Threaded stainless steel screw (AISI 304)  
TCCE DIN 912.
- (2) Stainless steel nut (AISI 304) DIN 934.
- (\*) (3) Stainless steel washer (AISI 303).

**SPECIAL REQUESTS:**

- It is possible to supply colours as shown in the table at page 19, on request and for quantities.



H A N D L E S

Art.	H	D	d	c	E	e	d1	Q	Weight (gr)
M144-50 M06 CIN	50	20	15	5	10 (11)	5 (6)	(*) M6	10	33
M144-50 M06 CIN	50	20	15	5	10 (11)	5 (6)	(*) M8	13	35
M144-60 M08 CIN	59	21	19	6	13 (15)	6 (7)	M8	15	60
M144-70 M08 CIN	68	23	20	8	17 (19)	8 (9)	M8	16	73
M144-70 M10 CIN	68	23	20	8	17 (19)	8 (9)	M10	16	96
M144-80 M10 CIN	78	25	22	7	17 (19)	8 (9)	M10	15	115
M144-90 M12 CIN	88	28	22,5	7	19 (21)	10 (12)	M12	17	160



**BOTECA**

# ART. M145

## REVOLVING HANDLE WITH RING NUT

**MATERIAL:**

Reinforced polyamide.  
Oils and greases resistant.

**SURFACE:**

Satin.

**COLOUR:**

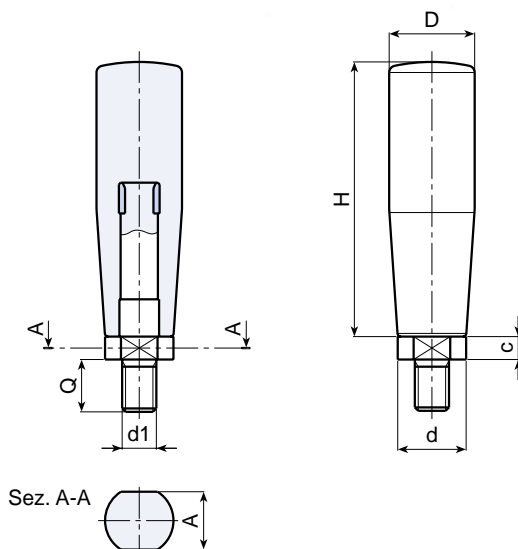
Black (RAL 9011).

**REVOLVING INSERT:**

Zinc plated steel threaded stud with ring nut and wrench seat.

**SPECIAL REQUESTS:**

- It is possible to supply the inserts with different treatment-finishes, on request and for quantities.
- It is possible to supply colours as shown in the table at page 19, on request and for quantities.



Art.	H	D	d	d1	c	A	Q	Weight (gr)
M145-50 M06	50	20	12	M6	5	10	12	32
M145-60 M08	60	23	18	M8	6	16	15	74
M145-70 M08	69	25	18	M8	7	16	15	82
M145-70 M10	69	25	18	M10	7	16	15	86
M145-80 M10	80	25	20	M10	7	17	15	92
M145-80 M12	80	25	20	M12	7	17	15	96
M145-90 M10	89	27	20	M10	7	17	15	104
M145-90 M12	89	27	20	M12	7	17	15	108



**BOTECA**



# ART. M129

## REVOLVING HANDLE WITH HEXAGON SOCKET HEAD STUD

**MATERIAL:**

Reinforced polyamide.  
Oils and greases resistant.

**SURFACE:**

Satin.

**COLOUR:**

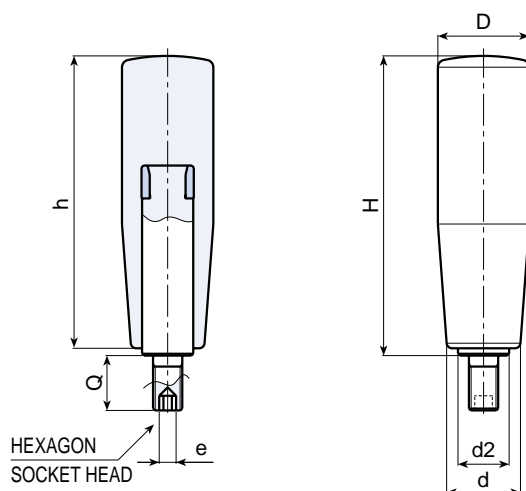
Black (RAL 9011).

**REVOLVING INSERT:**

Zinc plated steel threaded stud with hexagon socket head.

**SPECIAL REQUESTS:**

- It is possible to supply the inserts with different treatment-finishes, on request and for quantities.
- It is possible to supply colours as shown in the table at page 19, on request and for quantities.



Art.	H	D	h	d	d1	d2	e	Q	Weight (gr)
M129-50 M06	52	20	51	16	M6	11	3	12	42
M129-60 M06	62	23	60	18	M6	11	3	12	54
M129-60 M08	62	23	60	18	M8	11	4	15	60
M129-70 M08	72	25	70	19	M8	14	4	15	92
M129-70 M10	72	25	70	19	M10	14	5	15	94
M129-80 M08	81	25	79	20	M8	14	4	15	98
M129-80 M10	81	25	79	20	M10	14	5	15	104
M129-80 M12	82	26	81	20	M12	14	5	15	104
M129-90 M10	93	27	90	22,5	M10	14	5	15	118
M129-90 M12	93	27	90	22,5	M12	14	5	15	120

H A N D L E S



**BOTECO**

# ART. M136

## REVOLVING AND FOLDING HANDLE

**MATERIAL:**

Reinforced polyamide.  
Oils and greases resistant.

**SURFACE:**

Satin.

**COLOUR:**

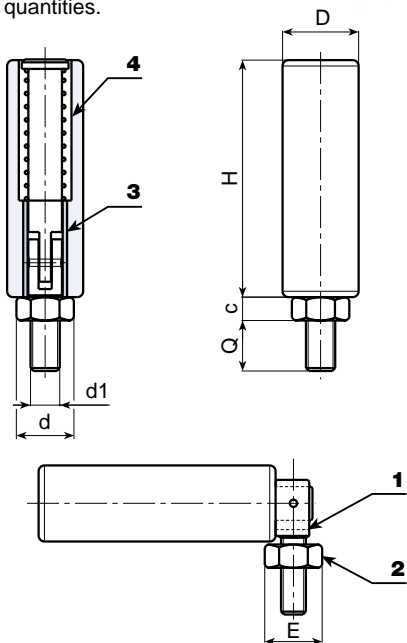
Black (RAL 9011).

**INSERTS:**

- (1) Black oxyde-treated steel revolving and folding stud with head for fitting screwdriver.
- (2) Threaded black oxyde-treated steel nut DIN 934.
- (3) Zinc plated steel spring.
- (4) Zinc plated steel insert with smooth hole.

**SPECIAL REQUESTS:**

- It is possible to supply the inserts with different treatment-finishes, on request and for quantities.
- It is possible to supply colours as shown in the table at page 19, on request and for quantities.



Art.	H	D	d	E	d1	c	Q	Weight (gr)	F1 (N)
M136-50 M06	49	20	15	10 (11)	M6	5	9	39	270
M136-70 M08	69	25	19	13 (15)	M8	6	10	71	840
M136-82 M10	81	26	-	17 (19)	M10	8	17	152	1700
M136-90 M10	89	26	-	17 (19)	M10	8	17	160	2700



**BOTECA**

# ART. M137

## HANDLE WITH LEVER ARM

**MATERIAL:**

Reinforced polyamide.  
Oils and greases resistant.

**SURFACE:**

Satin.

**COLOUR:**

Black (RAL 9011).

**LEVER ARM:**

Partially threaded zinc plated steel stud.

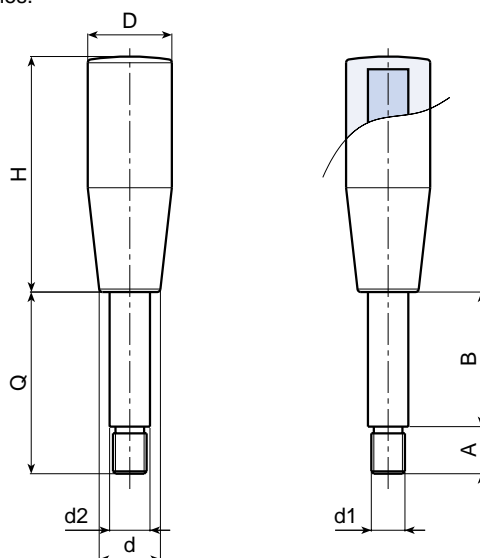
**FIXING:**

Push fit (cannot be dismantled).



**SPECIAL REQUESTS:**

- It is possible to supply the inserts with custom size , on request and for quantities.
- It is possible to supply the inserts with different treatment-finishes, on request and for quantities.
- It is possible to supply colours as shown in the table at page 19, on request and for quantities.



Art.	H	D	d	A	B	d2	d1	Q	Weight (gr)
M137-50 M08x40	50	20	15	10	30	10	M8	40	40
M137-50 M08x55	50	20	15	10	45	10	M8	55	46
M137-50 M08x80	50	20	15	10	70	10	M8	80	61
M137-60 M10x55	60	23	17	15	40	12	M10	55	68
M137-60 M10x65	60	23	17	15	50	12	M10	65	77
M137-60 M10x95	60	23	17	15	80	12	M10	95	104
M137-70 M12x65	70	25	19	15	50	14	M12	65	106
M137-70 M12x105	70	25	19	15	90	14	M12	105	154
M137-80 M12x65	80	25	20	15	50	14	M12	65	112
M137-80 M12x105	80	25	20	15	90	14	M12	105	164
M137-90 M14x67	91	27	22,5	17	50	16	M14	67	115
M137-90 M14x97	91	27	22,5	17	80	16	M14	97	193
M137-90 M14x117	91	27	22,5	17	100	16	M14	117	224





# ART. M128

## GEAR STICK HANDLE

**MATERIAL:**

Reinforced polyamide.  
Oils and greases resistant.

**SURFACE:**

Satin.

**COLOUR:**

Black (RAL 9011).

**HOLE :**

Female smooth blind hole obtained by moulding the plastic.

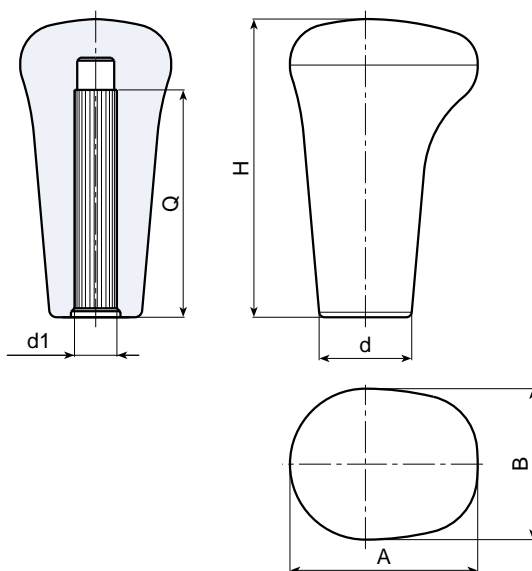
**FIXING:**

Push fit.



**SPECIAL REQUESTS:**

- It is possible to supply the handle with d1 diameter by customer design, on request and for quantities.
- It is possible to supply colours as shown in the table at page 19, on request and for quantities.



Art.	H	A	B	d	d1	Q	Weight (gr)
M128-80 D12	80	50	40	26	12	75	80
M128-80 D14	80	50	40	26	14	75	74
M128-80 D16	80	50	40	26	16	75	68



# ART. M146

## HANDLE WITH SELF-FIX HOLE

**MATERIAL:**

Reinforced polyamide.  
Oils and greases resistant.

**SURFACE:**

Satin.

**COLOUR:**

Black (RAL 9011).

**HOLE :**

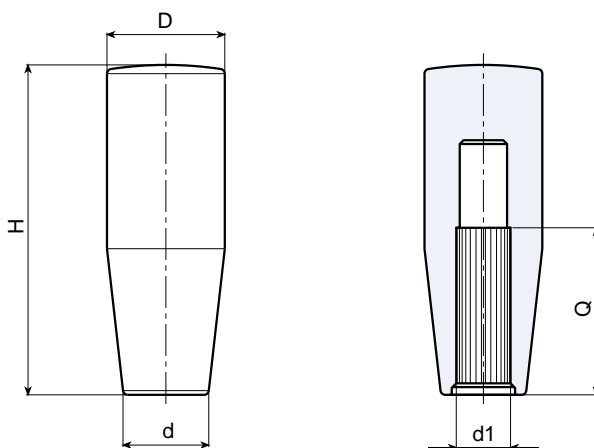
Female smooth blind hole obtained by moulding the plastic.

**FIXING:**

Push fit.

**SPECIAL REQUESTS:**

- It is possible to supply colours as shown in the table at page 19, on request and for quantities.



Art.	H	D	d	d1	Q	Weight (gr)
M146-50 D08	50	20	15	D8	38	14
M146-50 D10	50	20	15	D10	38	12
M146-60 D08	60	23	17	D8	50	24
M146-60 D10	60	23	17	D10	50	20
M146-60 D12	60	23	17	D12	50	20
M146-70 D08	70	25	19	D8	50	32
M146-70 D10	70	25	19	D10	54	30
M146-70 D12	70	25	19	D12	54	28
M146-80 D10	80	25	20	D10	54	40
M146-80 D12	80	25	20	D12	54	38
M146-80 D14	80	25	20	D14	50	34
M146-90 D12	91	27	22,5	D12	54	46
M146-90 D14	91	27	22,5	D14	71	42
M146-90 D16	91	27	22,5	D16	70	38



BOTECA

# ART. M510

## HANDLE WITH SELF-FIX HOLE

**MATERIAL:**

Polyethylene.

**SURFACE:**

Glossy.

**COLOUR:**

Black (RAL 9011).

**HOLE :**

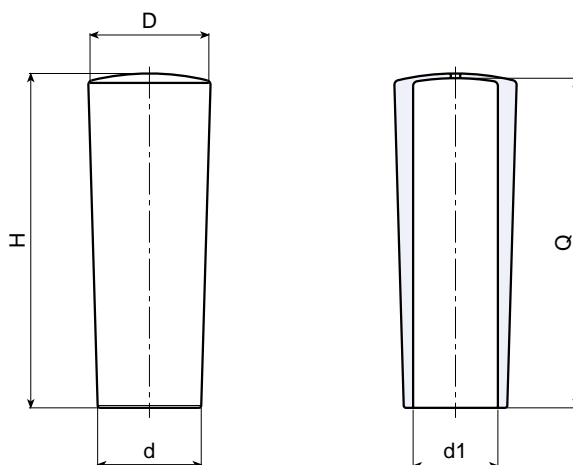
Female smooth blind hole obtained by moulding the plastic.

**FIXING:**

Push fit.

**SPECIAL REQUESTS:**

- None.



Art.	H	D	d	d1	Q	Weight (gr)
M510-33 D08	33	16	14	08	31	3
M510-33 D09	33	16	14	09	31	3
M510-36 D10	38	18	15,5	10	35	5
M510-36 D11	38	18	15,5	11	35	5
M510-37 D12	43	20	16	12	40	6
M510-47 D14	47	22,5	18	14	44	8
M510-63 D16	62	24	20	16	59	11
M510-72 D18	71	26	21	18	70	14
M510-78 D20	79	29	23,5	20	75	18







# ART. M720

## RECTANGULAR HANDLE WITH SELF-FIX HOLE

**MATERIAL:**

Polyethylene.

**SURFACE:**

Satin.

**COLOUR:**

Black (RAL 9011).

**HOLE :**

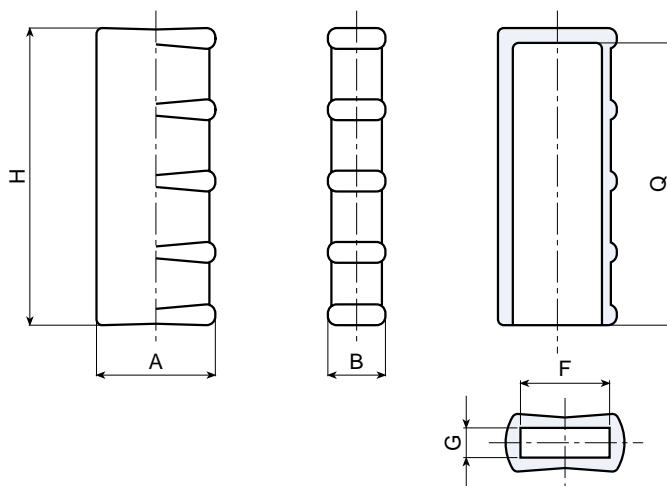
Female rectangular smooth blind hole obtained by moulding the plastic.

**FIXING:**

Push fit.

**SPECIAL REQUESTS:**

- None.



Art.	H	A	B	F	G	Q	Weight (gr)
M720-79 5x20	77	32	17	20,5	5,5	74	23
M720-79 6x20	77	32	17	20,5	6,5	74	21
M720-79 8x20	77	32	17	20,5	9	74	19
M720-79 10x20	77	32	17	20,5	10	74	18
M720-100 10x28	99	40	20	28,5	10,5	93	34
M720-100 10x30	99	40	20	29,5	10,5	93	33

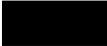


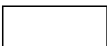









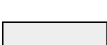




BOTECA










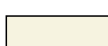


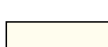



# COLOUR CHART

## R A L

COLOUR		RAL	CODE
Black		9011	01
Orange		2004	02
Orange		2011	03
White		9010	04
Blue		5002	05
Blue		5005	06
Blue		5015	07
Blue		5018	19
Blue		5019	21
Blue		5010	22
Yellow		1007	09
Yellow		1021	10
Grey		7024	12
Grey		7035	13
Red		3000	16
Green		6024	17

## O T H E R C O L O U R S

COLOUR		REF.	CODE
White		-	52
Blue		-	53
Blue		pant. 645 U	54
Blue		pant. 300	55
Grey		-	57
Grey		-	59
Grey		NCS 7500	60
Red		-	64
Red		-	65
Natural		-	66
Green		-	70
Brown		-	71
Cream		-	72
Violet		-	73





**BOTECO Spa** - 36010 ZANÈ (VI) ITALY  
Via L. Pettinà, 16 (side street of Via Cuso)  
P.O. BOX 63 36010 Zanè  
Switchboard Tel. ++39-0445.316411 - Fax ++39-0445.316400  
Sales Office Fax ++39-0445.316401  
Administration Fax ++39-0445.316402  
E-Mail: [boteco@boteco.it](mailto:boteco@boteco.it) - [sales@boteco.it](mailto:sales@boteco.it)  
[administration@boteco.it](mailto:administration@boteco.it) - Home Page: [www.boteco.it](http://www.boteco.it)

AUTHORISED RESELLER

